

## Type L50, L80II



### STRUCTURAL FEATURES:

- **L50:** Two staged cylinders in W-arrangement with one-throw crankshaft, single acting trunk pistons
- **L80II:** Two staged, opposed cylinder type with four-throw crankshaft, single action trunk pistons
- **1st stage:** 2 cylinders (L50), 3 cylinders (L80II)
- **2nd stage:** 1 cylinder

### VALVES:

- Combined suction and pressure valves for both stages

### AIR COOLING:

- By axial fan directly driven by the crankshaft

### INTERCOOLER AND AFTERCOOLER:

- Finned pipes

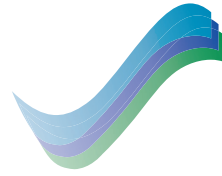
### FORCE FEED LUBRICATION:

- Gear pump driven by the crankshaft by means of gear wheel
- Oil pressure control by means of pressure gauge and pressure switch
- Oil level inspection glass
- Crankcase venting from oil filler to air suction filter

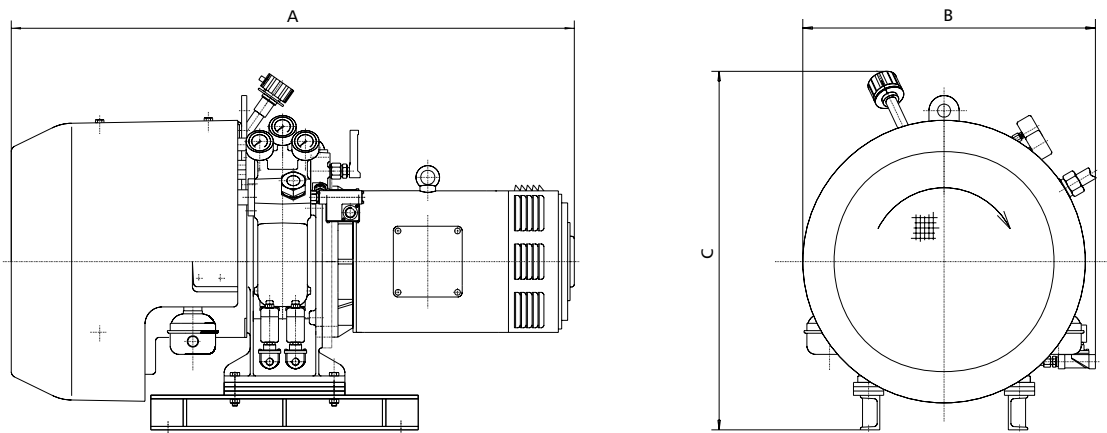
### BEARINGS:

- **Crankshaft:** Slide bearings
- **Connecting rod:** Slide bearings
- **Wrist pin 1st stage:** Slide bearings
- **Wrist pin 2nd stage:** Needle bearings



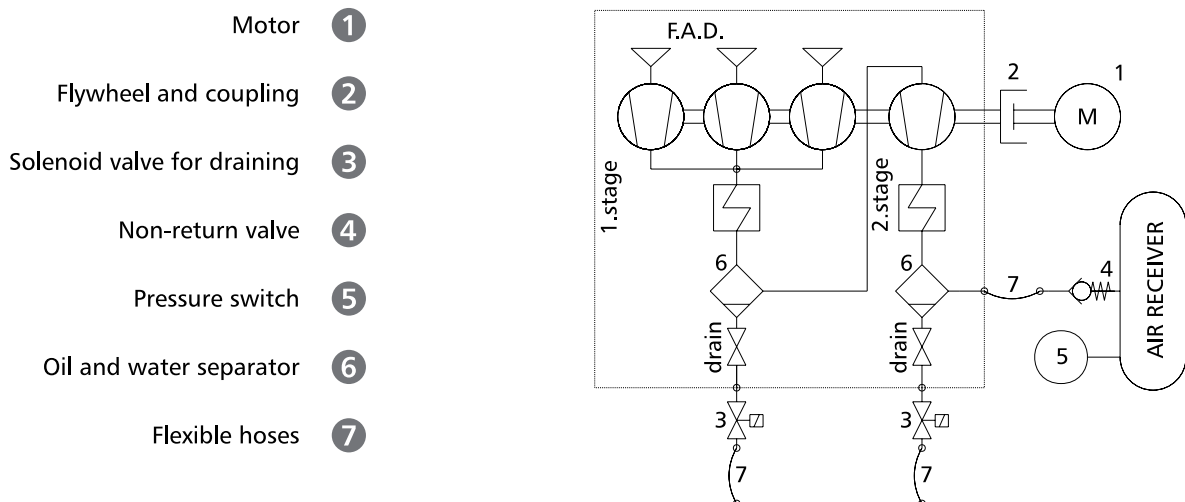


## Type L50, L80II



Type	Cylinders	Stage	Speed r.p.m	F.A.D m <sup>3</sup> /h	Power kW	Weight incl. e-motor approx. kg	Dimensions		
							A	B	C
L50	3	2	1150	37.5	8	350	1220	800	850
			1450	48.5	10.3	350	1220	800	850
			1750	59	12.5	350	1220	800	850
L80II	4	2	1150	57.5	12	330	1270	655	800
			1450	72.5	15.5	380	1300	655	800
			1750	85.5	19	380	1300	655	800

All data apply to a final pressure of 30 bar. The right for alteration of specification and data to incorporate improvements in design is reserved.



Illustrations, technical data, weights and dimensions are subject to alteration without previous notice.