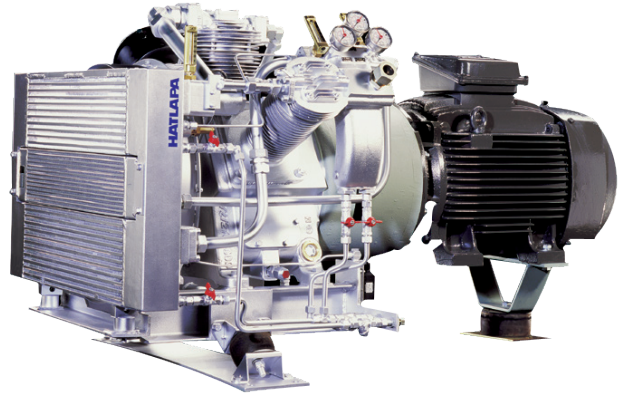


Type L90, L140, L160, L190



STRUCTURAL FEATURES:

- Three staged cylinders in 2 x 60° W-arrangement, with one-throw crankshaft, single acting trunk pistons

1st stage: 1 cylinder

2nd stage: 1 cylinder

3rd stage: 1 cylinder

VALVES:

- Combined suction and pressure valves for all stages

AIR COOLING:

- By axial fan directly driven by the crankshaft

INTERCOOLER AND AFTERCOOLER:

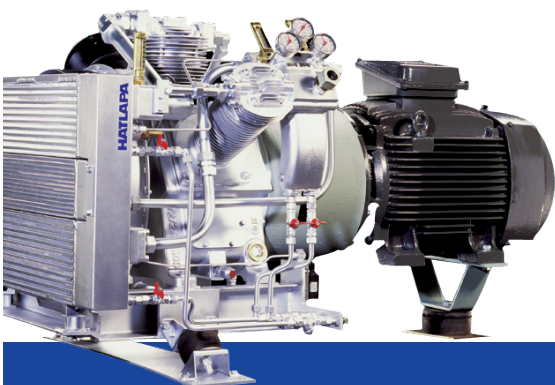
- Block type

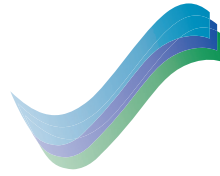
FORCE FEED LUBRICATION:

- Gear pump driven by the crankshaft by means of gear wheels
- Oil pressure control by means of pressure gauge and pressure switch
- Oil level inspection glass
- Crankcase venting from oil filler to air suction filter
- Oil filtration by external, exchangeable oil filter insert

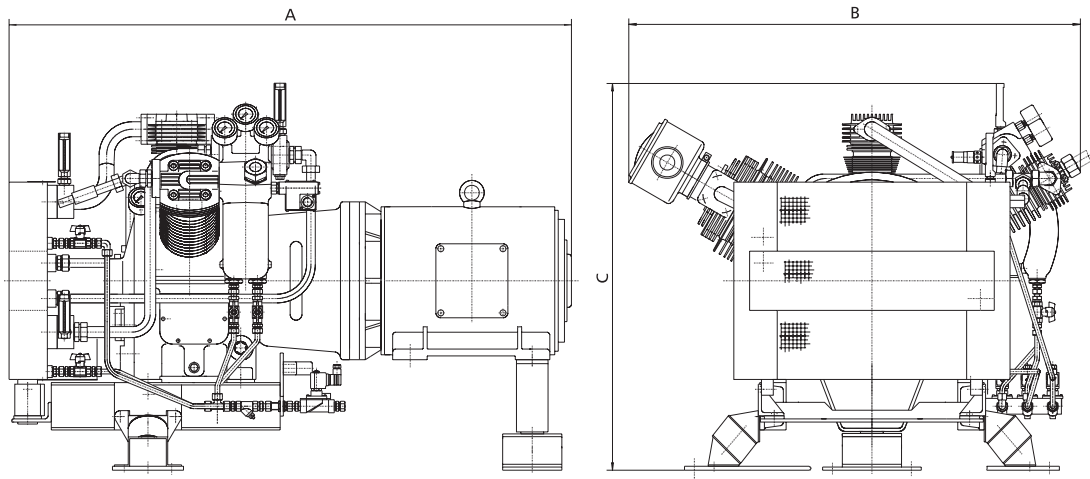
BEARINGS:

- **Crankshaft:** Slide bearings
- **Connecting rod:** Slide bearings
- **Wrist pin:** Needle bearings



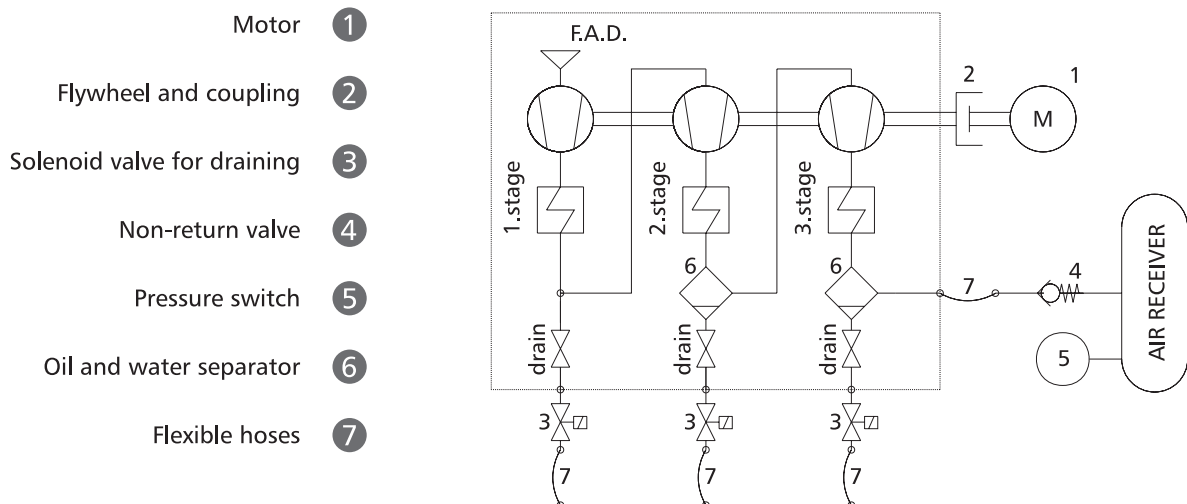


Type L90, L140, L160, L190



| Type | Cylinders | Stage | Speed r.p.m | F.A.D m³/h | Power kW | Weight incl. e-motor approx. kg | Dimensions | | |
|------|-----------|-------|----------------|---------------|-------------|------------------------------------|------------|------|------|
| | | | | | | | A | B | C |
| L90 | 3 | 3 | 1150 | 71 | 13.5 | 650 | 1500 | 1150 | 950 |
| | | | 1450 | 93 | 18.5 | 650 | 1500 | 1150 | 950 |
| | | | 1750 | 116 | 24 | 650 | 1500 | 1150 | 950 |
| L140 | 3 | 3 | 1150 | 100 | 19.5 | 700 | 1540 | 1150 | 950 |
| | | | 1450 | 127 | 26.8 | 700 | 1540 | 1150 | 950 |
| | | | 1750 | 154 | 33.5 | 700 | 1540 | 1150 | 950 |
| L160 | 3 | 3 | 1150 | 118 | 23 | 750 | 1675 | 1150 | 1050 |
| | | | 1450 | 151 | 30 | 750 | 1675 | 1150 | 1050 |
| | | | 1750 | 185 | 40 | 850 | 1675 | 1150 | 1050 |
| L190 | 3 | 3 | 1150 | 135 | 25 | 750 | 1675 | 1150 | 1050 |
| | | | 1450 | 175 | 34.5 | 850 | 1675 | 1150 | 1050 |
| | | | 1750 | 215 | 46.5 | 900 | 1675 | 1150 | 1050 |

All data apply to a final pressure of 30 bar. The right for alteration of specification and data to incorporate improvements in design is reserved.



Illustrations, technical data, weights and dimensions are subject to alteration without previous notice.