

Type L9, L14



STRUCTURAL FEATURES:

- Two staged cylinders in 90° V-arrangement, with one-throw crankshaft, single acting trunk pistons

1st stage: 1 cylinder

2nd stage: 1 cylinder

VALVES:

- Combined suction and pressure valves for both stages

AIR COOLING:

- By radial fan directly driven by the crankshaft

INTERCOOLER AND AFTERCOOLER:

- Finned pipes

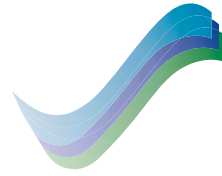
SPLASH LUBRICATION:

- Oil level inspection glass
- Crankcase venting from oil filler to air suction filter

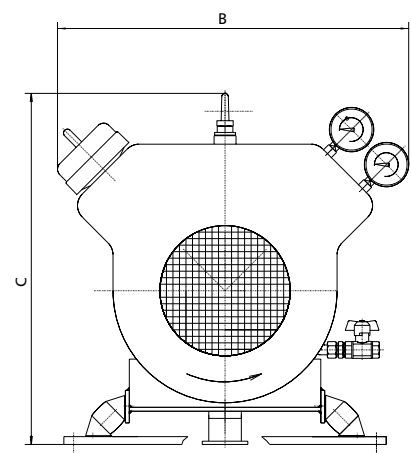
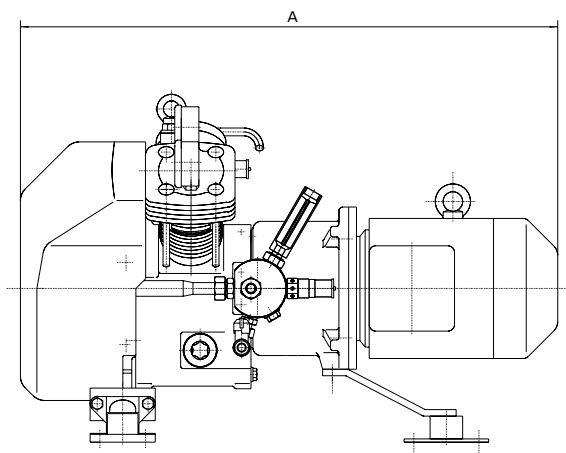
BEARINGS:

- Crankshaft: Cylinder roller bearings
- Connecting rod: Needle roller bearings
- Wrist pin: Needle roller bearings





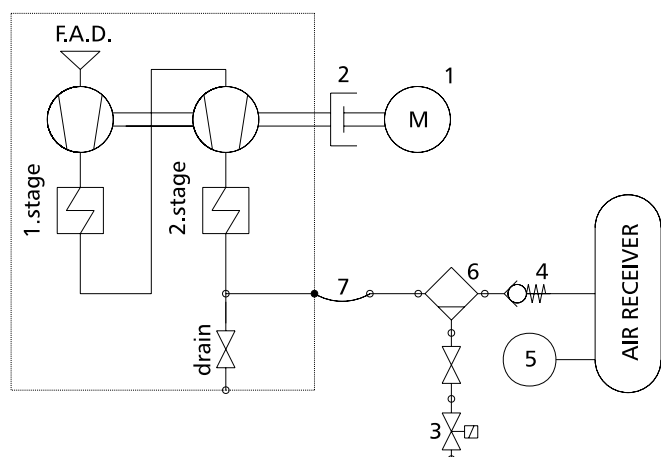
Type L9, L14



Type	Cylinders	Stage	Speed r.p.m	F.A.D m ³ /h	Power kW	Weight incl. e-motor approx. kg	Dimensions		
							A	B	C
L9	2	2	1150	6.6	1.7	120	820	540	540
			1450	8.7	2.3	120	820	540	540
			1750	10.5	2.8	120	820	540	540
L14	2	2	1150	10.5	2.7	140	840	540	540
			1450	14	3.5	140	840	540	540
			1750	17	4.2	140	840	540	540

All data apply to a final pressure of 30 bar. The right for alteration of specification and data to incorporate improvements in design is reserved.

- Motor ①
- Flywheel and coupling ②
- Solenoid valve for draining ③
- Non-return valve ④
- Pressure switch ⑤
- Oil and water separator ⑥
- Flexible hoses ⑦



Illustrations, technical data, weights and dimensions are subject to alteration without previous notice.