

## Type W55, W80, W110, W140



### STRUCTURAL FEATURES:

- Two staged, vertical construction with one cylinder differential piston, exchangeable, dry cylinder liners

### VALVES:

- 1st stage: Combined suction and pressure valve
- W55: 2nd stage: 1 suction and pressure valve each
- W80, W110, W140: 2nd stage: Combined suction and pressure valves

### WATER COOLING:

- Intercooler and aftercooler

### SPLASH LUBRICATION:

- W55: Oil level inspection glass

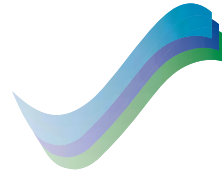
### FORCE FEED LUBRICATION:

- W80, W110, W140:
- Gear pump directly driven by the crankshaft
- Oil pressure control by means of pressure gauge and pressure switch
- Oil level inspection glass
- Crankcase venting through vent filter on oil filler
- Lubrication of 1st stage by means of dosing pump with sight glass at the cylinders

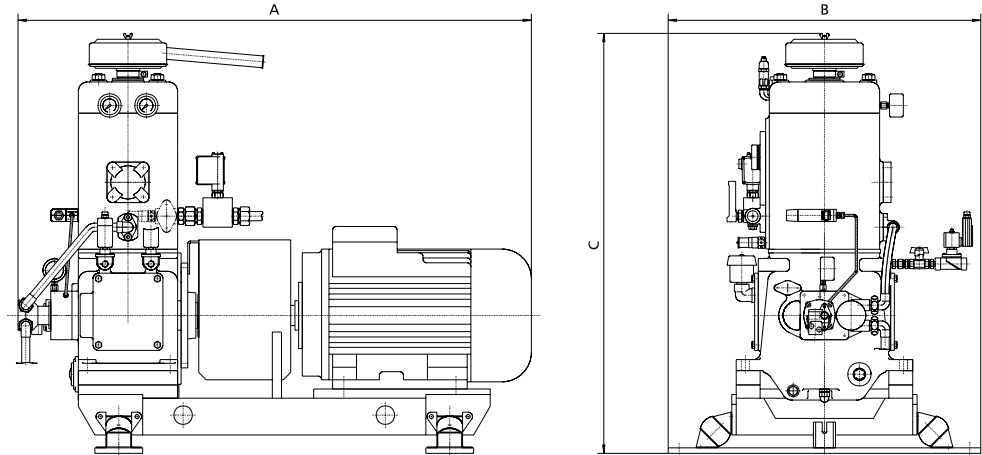
### BEARINGS:

- **W55:** Crankshaft: Ball bearings
- **W80, W110, W140:** Slide bearings
- **Connecting rod:** Slide bearings
- **Wrist pin:** Slide bearings



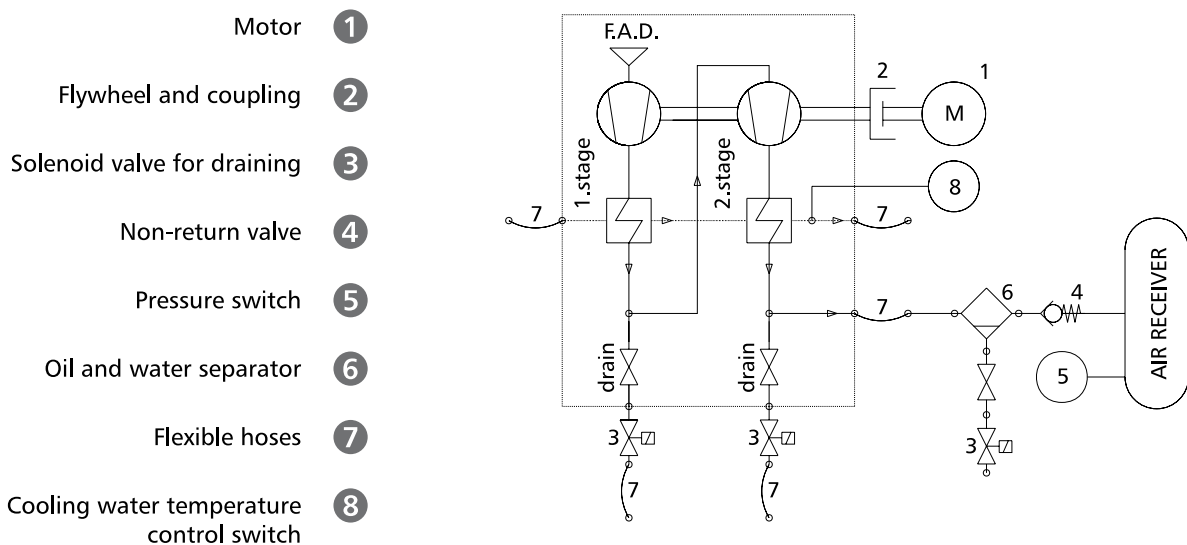


## Type W55, W80, W110, W140



Type	Cylinders	Stage	Speed r.p.m	F.A.D m <sup>3</sup> /h	Power kW	Weight incl. e-motor approx. kg	Dimensions		
							A	B	C
W55	1	2	1150	42	10	400	945	600	950
			1450	53	13	400	945	600	950
			1750	63	16	400	945	600	950
W80	1	2	1150	63	14.5	550	1265	820	1055
			1450	80	18	550	1227	820	1055
			1750	93	22.5	550	1265	820	1055
W110	1	2	1150	83	17	700	1349	850	1130
			1450	106	23	700	1349	850	1130
			1750	130	29	750	1411	850	1130
W140	1	2	1150	115	24.5	750	1411	850	1130
			1450	145	32	850	1439	850	1170

All data apply to a final pressure of 30 bar. The right for alteration of specification and data to incorporate improvements in design is reserved.



Illustrations, technical data, weights and dimensions are subject to alteration without previous notice.