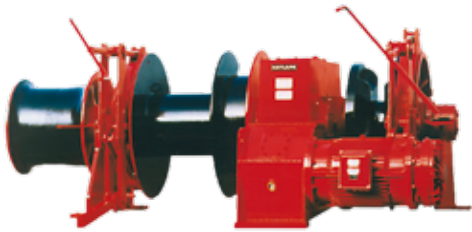


## ELECTRICALLY DRIVEN DECK MACHINERY



**Mooring winches**  
**Combined anchor and mooring winches**  
**Windlass parts**  
**Windlasses**  
**Anchor capstans**  
**Capstans**

### STRUCTURAL FEATURES:

· Pulls: 30 - 500 kN

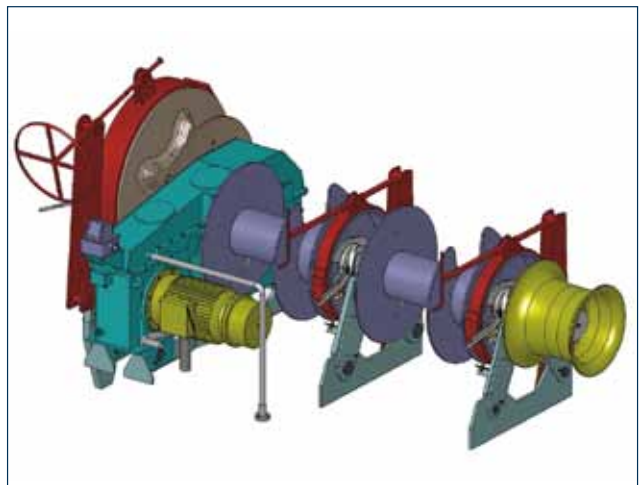
#### Chain diameters:

- For 17 - 127 mm stud link chains and roller chain stoppers (bigger chain diameters on request)
- Single or double drum design
- Undivided or split-type drums
- With or without auto-tension device
- Automatic switch over for double drum mooring winches with auto-tension available
- Design with fully or partially enclosed gear
- With pole-changing motor or frequency-controlled for stepless speed control
- With or without remotely controlled letting-go the anchor, with automatic speed limitation
- With or without chain length and speed indication
- With or without remote control from ships' sides or wheelhouse
- Capstans with integrated or below deck drive
- Acc. ISO 3730 OCIMF recommendations

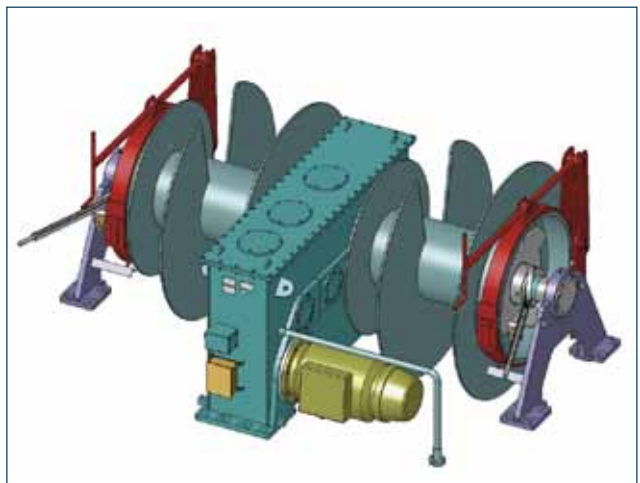


**ELECTRICALLY DRIVEN DECK MACHINERY**

Illustration from 3D-CAD



Combined anchor and mooring winch



Mooring winch

Illustrations, technical data, weights and dimensions are subject to alteration without previous notice.