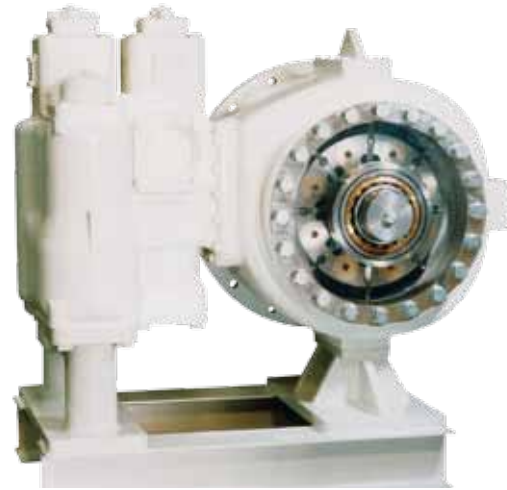


## HYDRAULIC DRIVING SYSTEMS FOR WINCHES

Low-pressure hydraulic motors



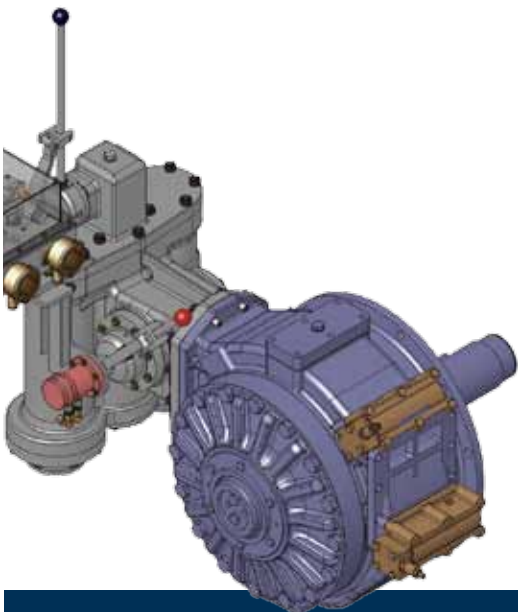
HLP 440-Series

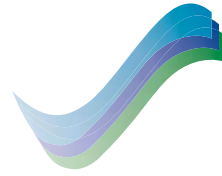
### STRUCTURAL FEATURES:

- Full speed and power in both directions.  
Wide range of speeds available without gear changes.
- A four motor winch can have up to eight speed / torque ranges
- Hydraulic braking at high speed and torque, eliminating the need for additional dynamic braking systems, such as water brakes or disk brakes
- Furnished complete with integral actuators for remote control of speed and direction
- Proven technology using inherently reliable low-pressure hydraulics

### ADVANTAGES:

- Technical assistance, motors, valves, parts and service readily available world-wide
- Speed / torque shift without clutching or stopping

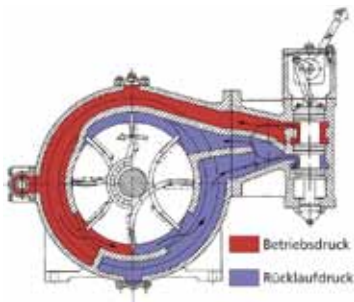




## HYDRAULIC DRIVING SYSTEMS FOR WINCHES

### Low-pressure hydraulic motors

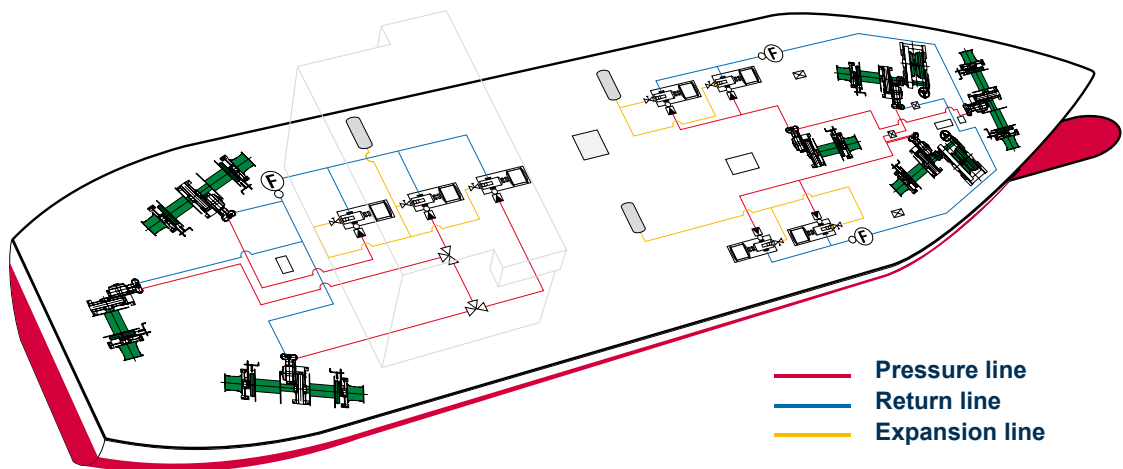
#### TECHNICAL DATA



Hydraulic motor data					
Type:	HLP 90	HLP 110	HLP 145	HLP 175	HLP 440
Max. pressure (bar)	40	50	40	50	70
Max. oil flow (l/min)	1,700	1,700	2,600	2,600	5,400
Nominal torque (Nm)	8,400	10,000	11,000	13,000	49,050
Stalling torque (Nm)	9,100	11,300	11,900	14,900	61,000
Nominal speed (rpm)	105	105	125	125	85
High speed (rpm)	140	140	140	140	170
Displacement (l/rev.)	16/8	16/8	21/10.5	21/10.5	60/30
Nominal power (kW)	92	112	145	176	440

### Low-pressure hydraulic driven deck machinery system

With or without auto-tension



Illustrations, technical data, weights and dimensions are subject to alteration without previous notice.