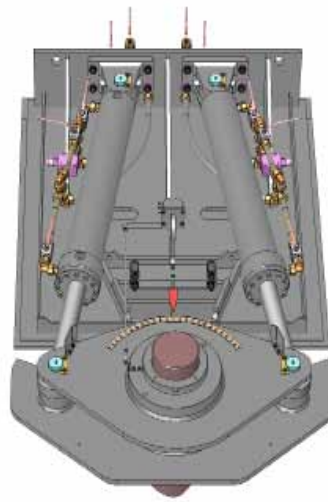


Piston type NEPTUNE

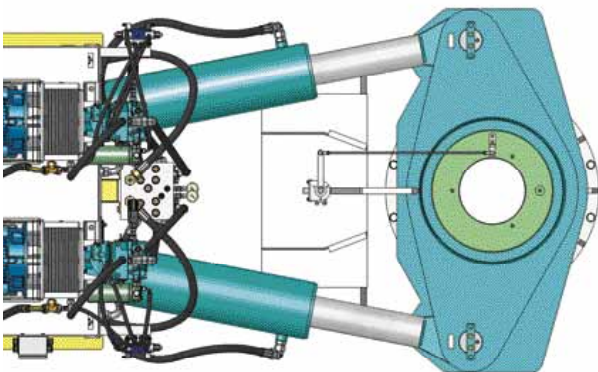


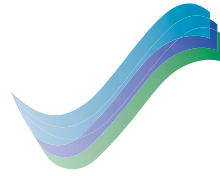
STRUCTURAL FEATURES:

- Compact dimensions with low height
- For rudder angle up to $\pm 45^\circ$ degrees
- Integrated mechanical stopper for HATLAPA models
- Simple assembly and maintenance
- Simple and safe operation
- Can be interfaced with all steering controls and autopilot systems
- Approved by all classification societies

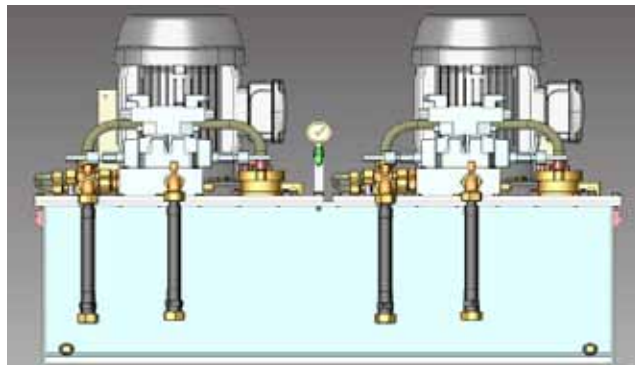
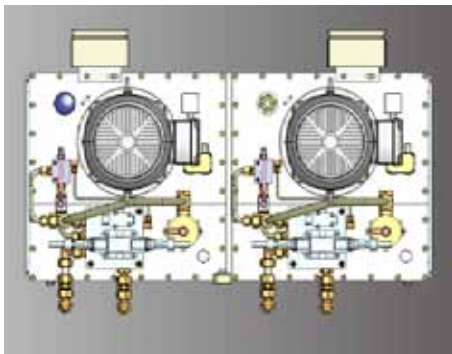
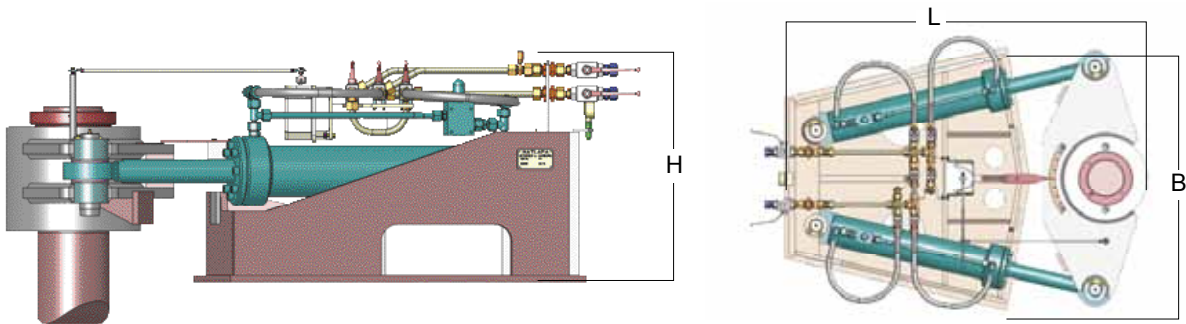
On request HATLAPA can deliver

- Motor starters, alarm, rudder control, rudder angle indicator systems, etc.
- Special designs are available on request, for example Neptune steering gear for rudder angle up to $\pm 60^\circ$





Piston type NEPTUNE



Piston type NEPTUNE

Type		25	30	40	50	80	100	130	160	250	300	550	730	850	950
Working torque*	[kNm]	24	29	39	47	80	98	130	159	248	302	550	730	850	950
Length	L [mm]	1700	1700	2100	2100	2200	2200	2400	2400	2800	2500	2909/3179	3295/3574	3348/3624	3348/3624
Width	B [mm]	1000	1000	1000	1000	1250	1250	1350	1300	1600	1500	1710	1900	1900	1900
Height	H1 [mm]	600	600	750	750	800	800	850	850	900	900	1254	1395	1415	1415
El. Motor output ** at 50 / 60 Hz	[kW]	2.1/1.9	2.6/2.6	3.2/3.3	4/4.5	6.2/6.2	7.7/7.3	9.5/11.4	12.2/12	19.4/23.4	23.5/23.4	32.2	42	49.5	53.9

*at working 35° rudder angle
 **acc. To IEC 92-204: duty S6-25%