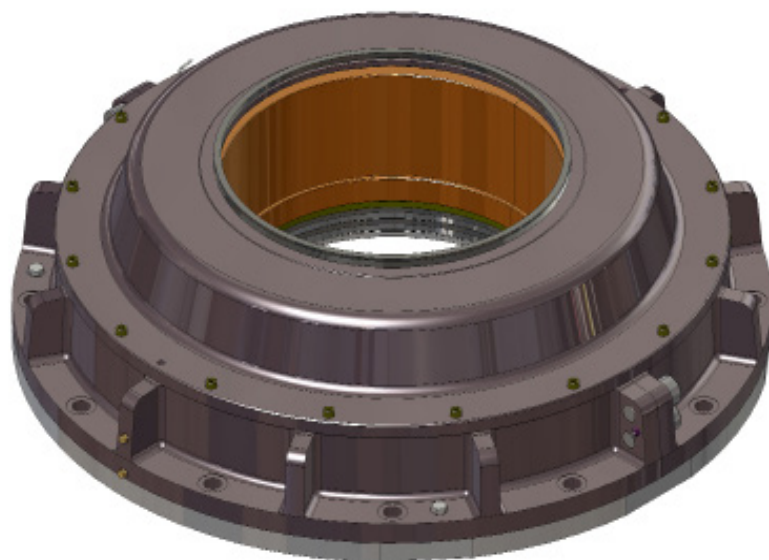
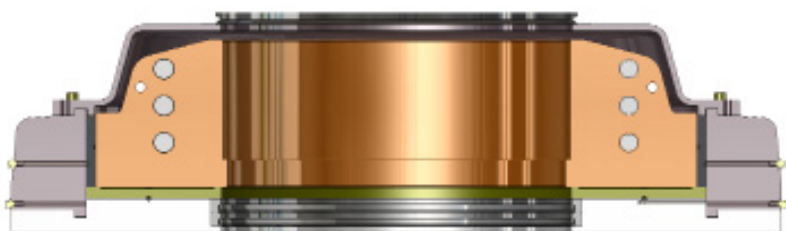


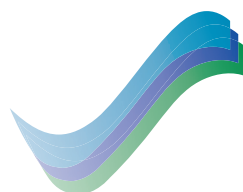
### Rudder carrier OTOS



#### STRUCTURAL FEATURES:

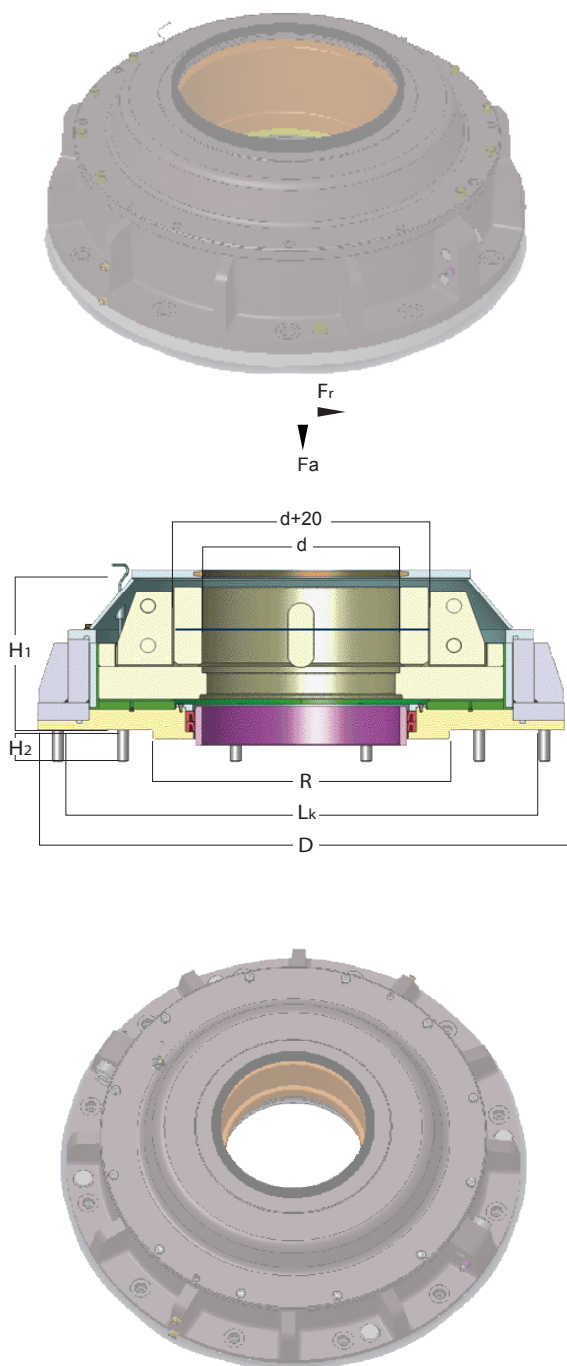
- The HATLAPA rudder carrier is made of cast steel
- Carrying disk and bearing halves are made of polyamide
- Outer ring, inner ring, carrying disk and carrying ring are of split-type
- Inspection of bearing surfaces and exchange of bearing halves and /or carrying disk without removing the steering gear or docking the ship
- Seawater resistant rudder stock sealing is included





Rudder carrier OTOS

Type	Rudder stock Ø (mm)	Outer Ø (mm)	Adm. axial force Fa [kN]	Adm. radial force Fr [kN]
OTOS 200	200	840	1100	600
OTOS 250	250	840	1200	650
OTOS 300	300	990	1400	750
OTOS340	340	990	1600	800
OTOS 360	360	990	1700	850
OTOS 380	380	1070	1800	900
OTOS 410	410	1070	1900	930
OTOS 425	425	1070	1950	950
OTOS 440	440	1170	2000	1000
OTOS 475	475	1170	2100	1050
OTOS 500	500	1170	2200	1130
OTOS 525	525	1300	2400	1150
OTOS 580	580	1300	2500	1250
OTOS 630	630	1490	3100	1400
OTOS 650	650	1490	3200	1500
OTOS 680	680	1490	3400	1620
OTOS 700	700	1640	4200	1700
OTOS 720	720	1640	4400	1750
OTOS 750	750	1640	4600	1830
OTOS 800	800	1890	6000	2400
OTOS 820	820	1890	6400	2700
OTOS 850	850	2110	8500	3000
OTOS 900	900	2110	9000	3200



Illustrations, technical data, weights and dimensions are subject to alteration without previous notice.