

Rotary vane type TRITON

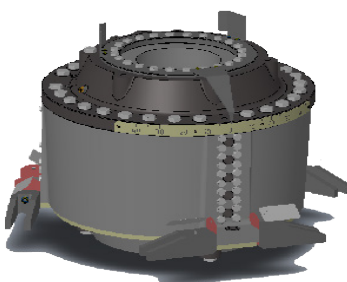


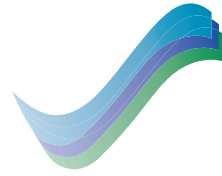
STRUCTURAL FEATURES:

- Compact design with integrated, working-oil lubricated rudder carrier and guide bearing
- Integrated mechanical stoppers
- Hydraulic shrink (keyless) fit of rudder stock
- Simple foundation work and easy installation
- Automatic switch-over system in case of pressure loss, if required
- Pumps with variable displacement for analogue steering control or constant delivery
- Electronic synchronizing for twin-rudder installation
- All well-known brands of autopilot and rudder control systems can be connected

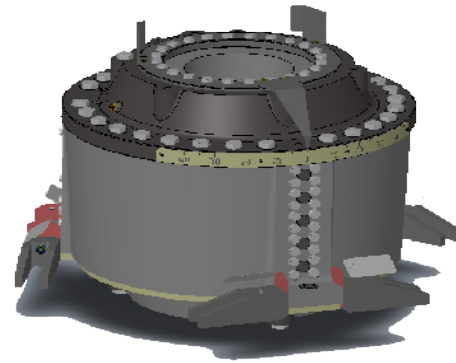
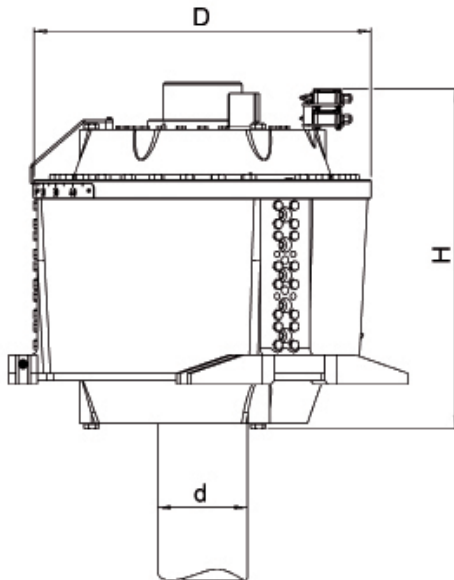
On request HATLAPA can deliver

- Rudder control, motor starters, alarm, automatic switch over, rudder angle indicator systems, etc.
- Special designs are available on request





Rotary vane type TRITON



Rotary Vane Type TRITON 45°

Type		130	200	300	450	600	800	1000	1250
Working torque	kNm	130	200	300	450	545	725	915	1100
Available rudder stock diameter	mm	150 / 160 / 170 / 170 / 180 / 190 / 200 / 210 / 215	190 / 200 / 210 / 220 / 230 / 240 / 250	220 / 230 / 240 / 250 / 260 / 270 / 280	250 / 260 / 270 / 280 / 290 / 300 / 310 / 320	280 / 290 / 300 / 310 / 320 / 330 / 340 / 350 / 354	310 / 320 / 330 / 340 / 350 / 360 / 370 / 380 / 390	340 / 350 / 360 / 370 / 380 / 390 / 400 / 410 / 420	370 / 380 / 390 / 400 / 410 / 420 / 430 / 440 / 446
Weight	kg	682	1003	1480	2198	2832	3918	4726	5874
Dimensions (DxH)	mm	640 x 660	740 x 740	830 x 820	940 x 930	1030 x 1000	1130 x 1110	1220 x 1170	1290 x 1260
El. motor output*	kW	2 x 11	2 x 18	2 x 24	2 x 32	2 x 40	2 x 50	2 x 76	2 x 95

* acc. to IEC 92-204: duty S6-25%