



Complete package for offshore dry waste

Features

- The package can treat all kinds of waste onboard
- Easy handling of several waste fractions
- Shredder available also for sack store
- Big bags in containers for easy further transport
- For open deck installation; sheltered or stand-alone
- Extremely durable shredder head in HARDOX steel
- Low noise level
- Semi-automatic operation
- Easy to install, maintain and safe to use
- User-friendly
- DNV Maritime Assessment/Verification reports



Collection



Processing



Storing



The system consists of a shredder, compactor and several containers. The shredded material is collected in Big Bags inside stainless steel offshore containers, UOC, which can be placed in the waste compactor UWC-50 for further compaction. The Big Bags allow for easy handling and transport of the waste from the rig.

The complete system is very flexible and can be placed on open deck. For easy operation the system can be placed inside a container. The container system is designed for easy operation. It has a small total footprint and is very easy to install.

The UOS-5050 is a heavy duty shredder which is designed for shredding various waste materials such as general waste, plastic, paper & cardboard, metal tins and wood. An alternative or complementary shredder is the USDV-5050 that is used for the chemical sack store.

The UWC-50 is an electromechanical compactor in stainless steel designed by Uson Marine for demanding marine and offshore conditions.

The system reduces the volume of ship-generated garbage up to 90% depending on the fraction which in turn reduces storage space.

The units has been examined and tested by DNV Maritime for the purpose of marine and offshore installations.

Included:

- 1 x UOS-5050 Offshore Shredder
- 1 x UWC-50 Waste Compactor
- 2-5 x UOC wheel Offshore Containers

Accessories:

- Container shelter

About Uson Marine

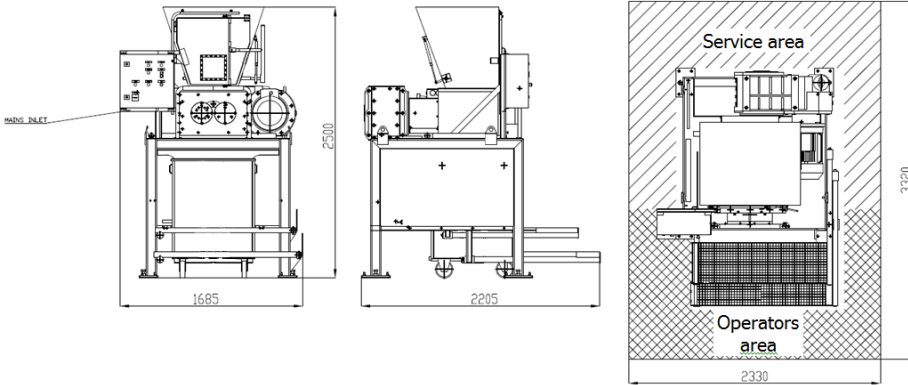
Uson Marine has been a leading provider of sustainable waste management systems for the maritime and offshore industry since 1983. We help our customers reduce the environmental impact of their operations and thus improve their environmental profile. This, in turn, contributes to securing and increasing their long-term revenue.

We have the solutions, know-how and experience to help our customers minimize the cost and labour of waste handling onboard their rig or vessel, and ensure that they comply with the relevant rules and regulations. We support our customers at every stage, including: surveys, design, installation, commissioning and training of the crew.

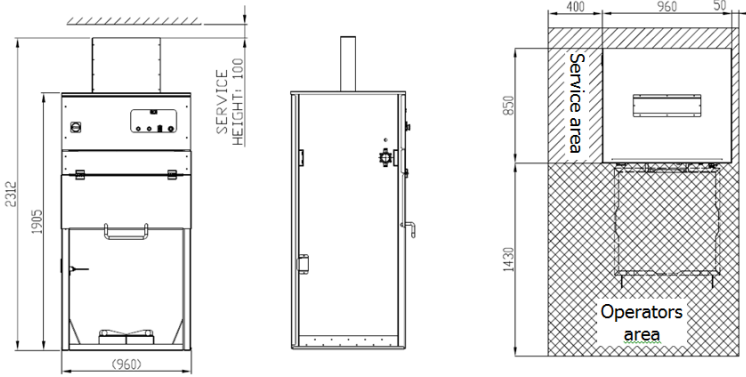
Uson Marine is certified for ISO 9001 & 14001 by DNV and certified in Achilles Joint Qualification System (www.achilles.com)



UOS-5050



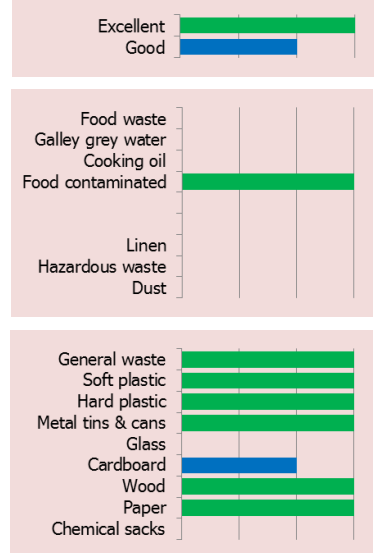
UWC-50



Technical data:

Dimensions	UOS-5050	UWC-50
Height	2 500 mm	2 312 mm
Width	1 685 mm	960 mm
Depth	2 205 mm	850 mm
Service height	2 500 mm	2 412 mm
Net weight	1 950 kg	450 kg
Voltage, Rating, Rated current		
UOS-5050	3 x 400-480 V, 50/60 Hz, 7.5/9.0 kW	
UWC-50	3 x 380-480 V, 50/60 Hz, 2.2/2.5 kW	
Fuse	32 A (delayed)	10 A (delayed)
Cable	4 x 2.5 mm ²	4 x 1.5 mm ²
IP Class	56	56
Noise level	78 dBA	60 dBA (Std by)
Collecting container, UOC		
Material	AISI 316	
Electrical syst. IEC 60092 compliant		

Suitable waste types:



Related products:

UOS-5050



Offshore Shredder

USDV-5050



Chemical Sack Shredder

UWC-50



Waste Compactor

UMS-5050



Midi Shredder

USC-2020



Shredder Compactor