



Controls your food waste

Features

- Combination of disposer and vacuum system
- The first system of its kind on the market
- Small pipe diameter and flexible pipe routing
- Minimum risk of blockage
- Low energy and water consumption
- "No touch or smell" solution
- No chemicals used
- Few moving parts
- Easy to install and user-friendly operation
- Bridge control and level monitoring
- Heavy duty food waste shredder

The Uson One-Way Macerator system is designed for hygienic collection and treatment of food waste in compliance with IMO Marpol 73/78 Annex V, US Coast Guard and other relevant regulations and standards.

Food waste is ground by local macerator(s) and a heavy duty shredder in the galley and transported by vacuum to a special holding tank, which is designed for food waste. This makes it possible to run the system when the vessel is operating within an area where discharge is prohibited.

The system is equipped with bridge control, level monitoring as well as full/half flush.

The system safely handles food waste and is easy to install, with low water consumption, small pipe diameter and flexible pipe routing. As it is suitable for retrofitting onboard existing vessels or new builds, the macerator is guaranteed to avoid any blockage of food waste in the piping system.

Food waste is not defined as "sewage" and should not be mixed with either black water or grey water. Food discharged to a sewage treatment plant will contribute to increased levels of BOD (Biological Oxygen Demand), TSS (Total Suspended Solids), grease and oil, etc.

A system includes one or several Local Macerator Units (LMU) placed in galley areas. Each LMU is equipped with a hopper with a removable lid for easy cleaning. The LMU can be integrated in a bench or installed as a stand-alone unit. Each LMU has its own control system for control of operation and water consumption. A high capacity food shredder will shred all bones, fibres, fish skins, etc.

Collection



Processing



Storing



Accessories:

- LMU Local Macerator Unit
- UMS-Food Food shredder
- UD-100 Dewatering unit
- Magnetic cutlery trap for LMU
- Extra discharge/vacuum pump

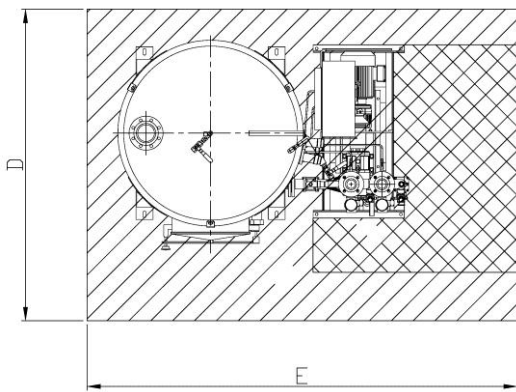
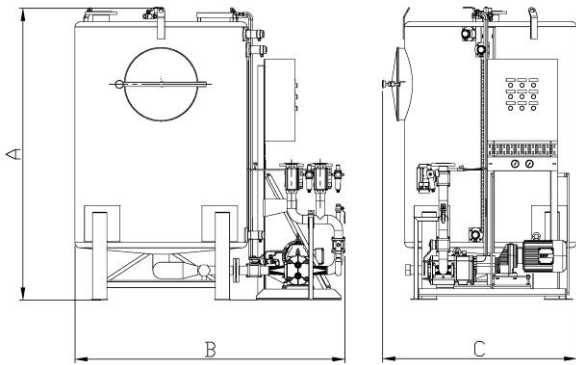
About Uson Marine

Uson Marine has been a leading provider of sustainable waste management systems for the maritime and offshore industry since 1983. We help our customers reduce the environmental impact of their operations and thus improve their environmental profile. This, in turn, contributes to securing and increasing their long-term revenue.

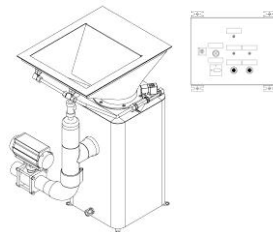
We have the solutions, know-how and experience to help our customers minimize the cost and labour of waste handling onboard their rig or vessel, and ensure that they comply with the relevant rules and regulations. We support our customers at every stage, including: surveys, design, installation, commissioning and training of the crew.

Uson Marine is certified for ISO 9001 & 14001 by DNV and certified in Achilles Joint Qualification System (www.achilles.com)

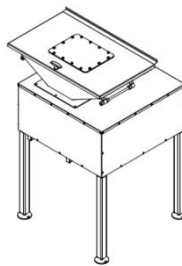




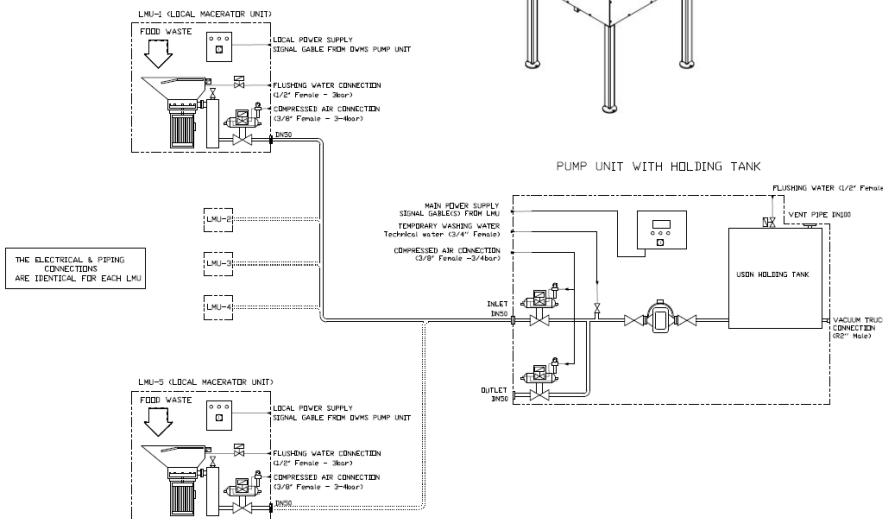
Local Macerator Unit:



Food shredder:



P&I Drawing - example:



Technical data:

Dimensions	[mm]			[kg]	[m ³]
	A	B	C	Weight	Vol
O WMS-1-15	2 037	1 785	1 311	420	1.5
O WMS-1-25	2 037	2 150	1 680	535	2.5
O WMS-1-40	2 605	2 253	1 780	630	4.0
O WMS-1-60	2 605	2 655	2 180	865	6.0
LMU				80	
UMS-Food				325	

Service area	[mm]		
	D	E	Height
O WMS-1-15	2 011	2 784	2 337
O WMS-1-25	2 381	3 148	2 337
O WMS-1-40	2 481	3 253	2 905
O WMS-1-60	2 881	3 653	2 905

Voltage, Rating pump + mixer, Rated current

O WMS-1-15/25	3 x 380-480 V, 50/60 Hz, 4.0/4.8 kW
O WMS-1-40/60	3 x 380-480 V, 50/60 Hz, 6.2/7.4 kW
LMU	3 x 380-480 V, 50/60 Hz, 2.2/2.55 kW
UMS-Food	3 x 220-690 V, 50/60 Hz, 3.0/3.6 kW

Fuse (O WMS) 16 A (delayed)
Cable (O WMS) 4 x 2.5 mm²
IP Class 54 (O WMS, UMS-Food), 55 (LMU)
Material Stainless steel ASIS 316
 LMU, UMS-Food Stainless steel ASIS 316

Electrical syst. IEC 60092 compliant

Piping DN50 (V acuum piping)
 Not part of Uson supply
 Uson recommends Blücher piping

Suitable waste types:

Excellent	Green bar
Good	Blue bar
Food waste	Green bar
Galley grey water	Green bar
Cooking oil	Green bar
Food contaminated	Green bar
Linen	Red bar
Hazardous waste	Red bar
Dust	Red bar
General waste	Red bar
Soft plastic	Red bar
Hard plastic	Red bar
Metal tins & cans	Red bar
Glass	Red bar
Cardboard	Red bar
Wood	Red bar
Paper	Red bar
Chemical sacks	Red bar

Related products:

UMS-Food



Food Shredder

UD-100



Dewatering Unit

UGS



Grease Separator

UKP-6060



Refrigerated Compactor

URB-3



Refrigerated Bale Storage